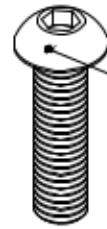
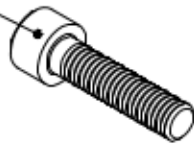
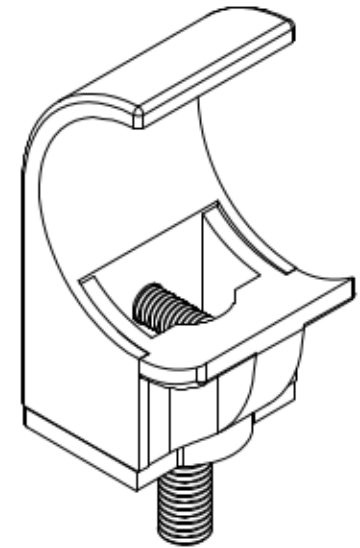
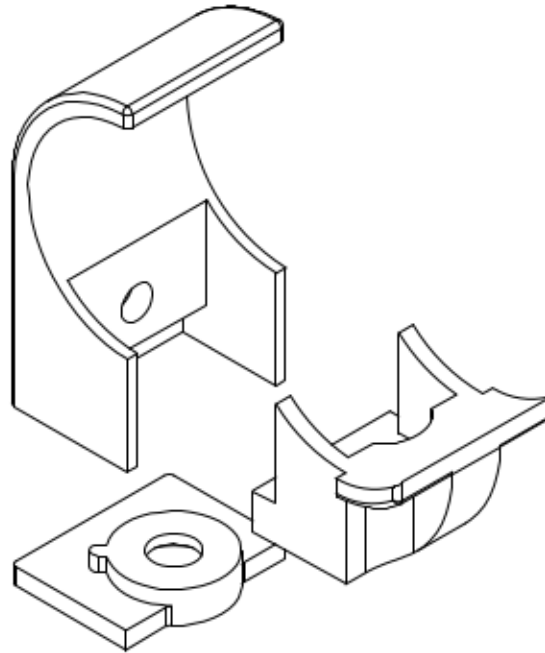


ISO4762 M6x25



ISO7380 M8X30



101.1105		1:1	A0
		SS316	
			2019.10.31

